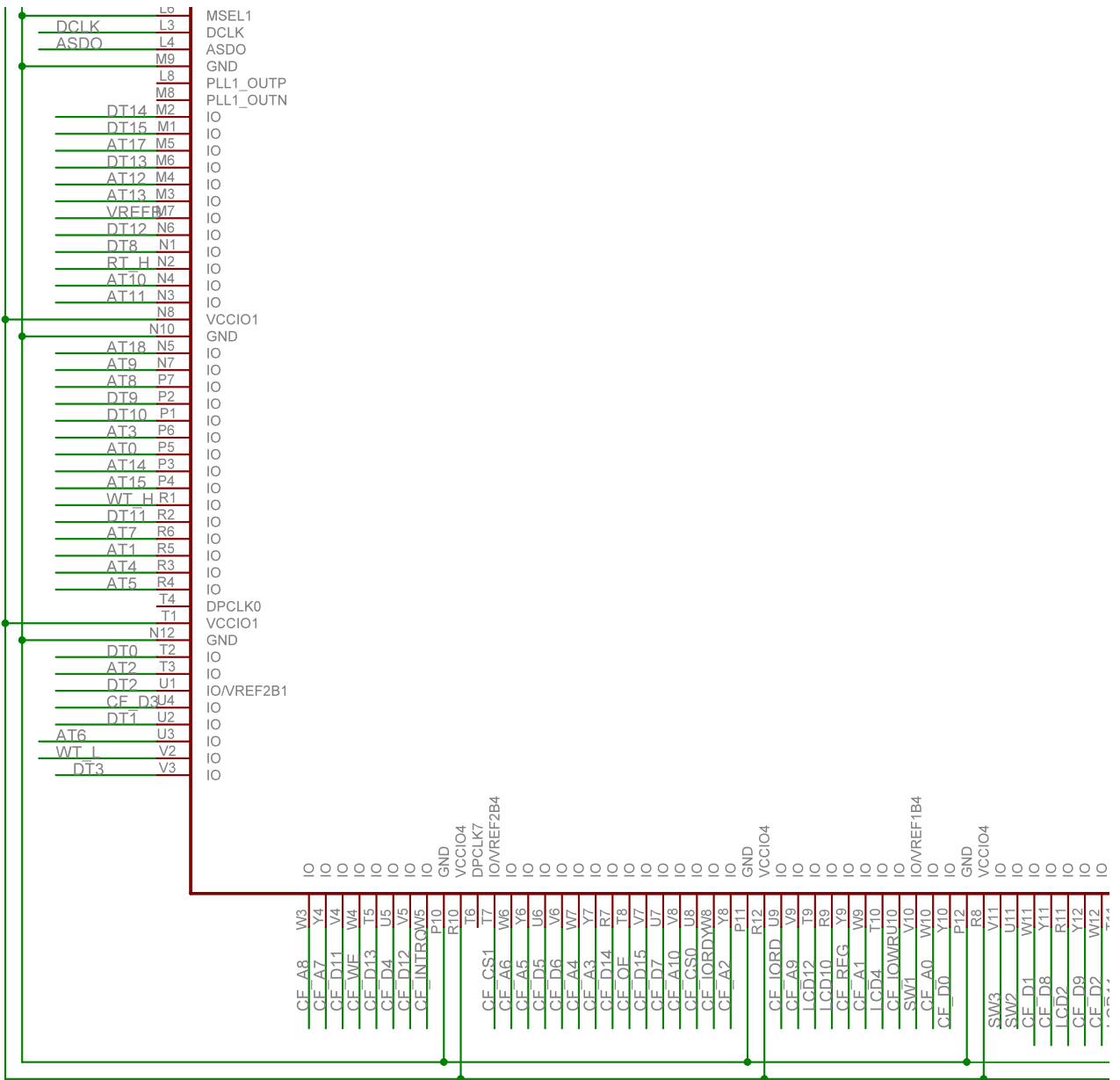
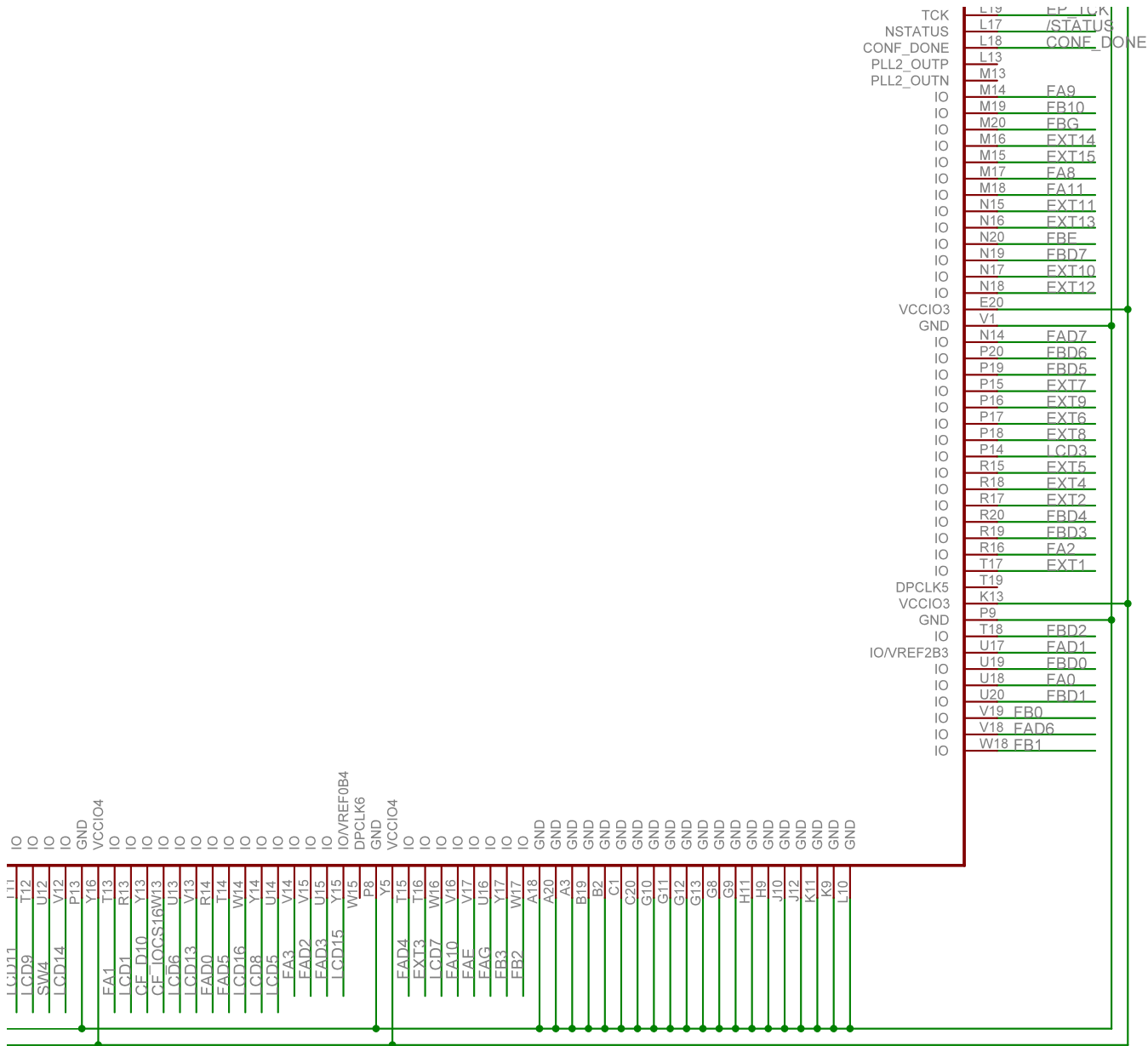


RAM T



COMPACT FLASH



FLASH B

LCD

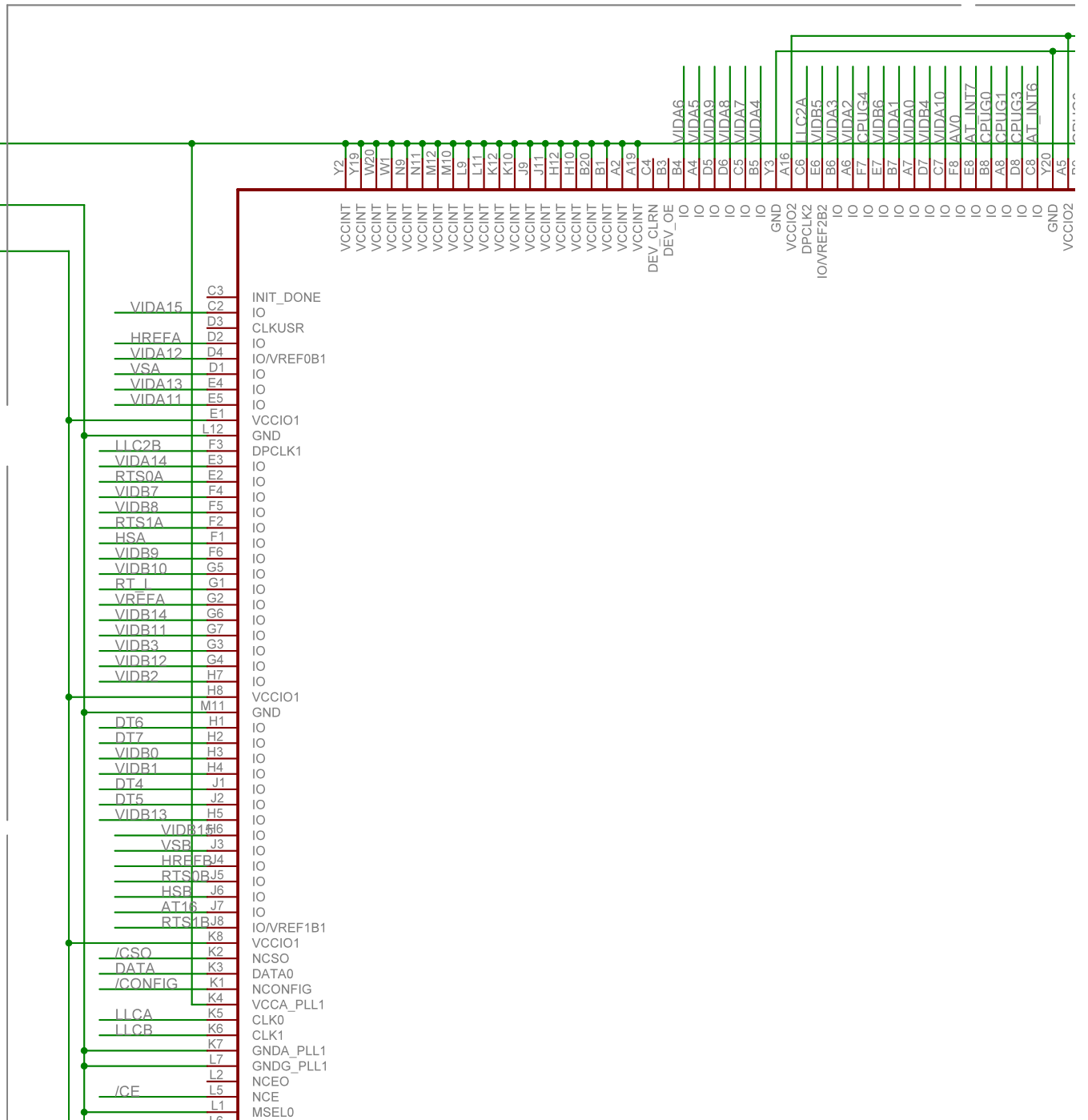
EXTENSION

SAA A

A

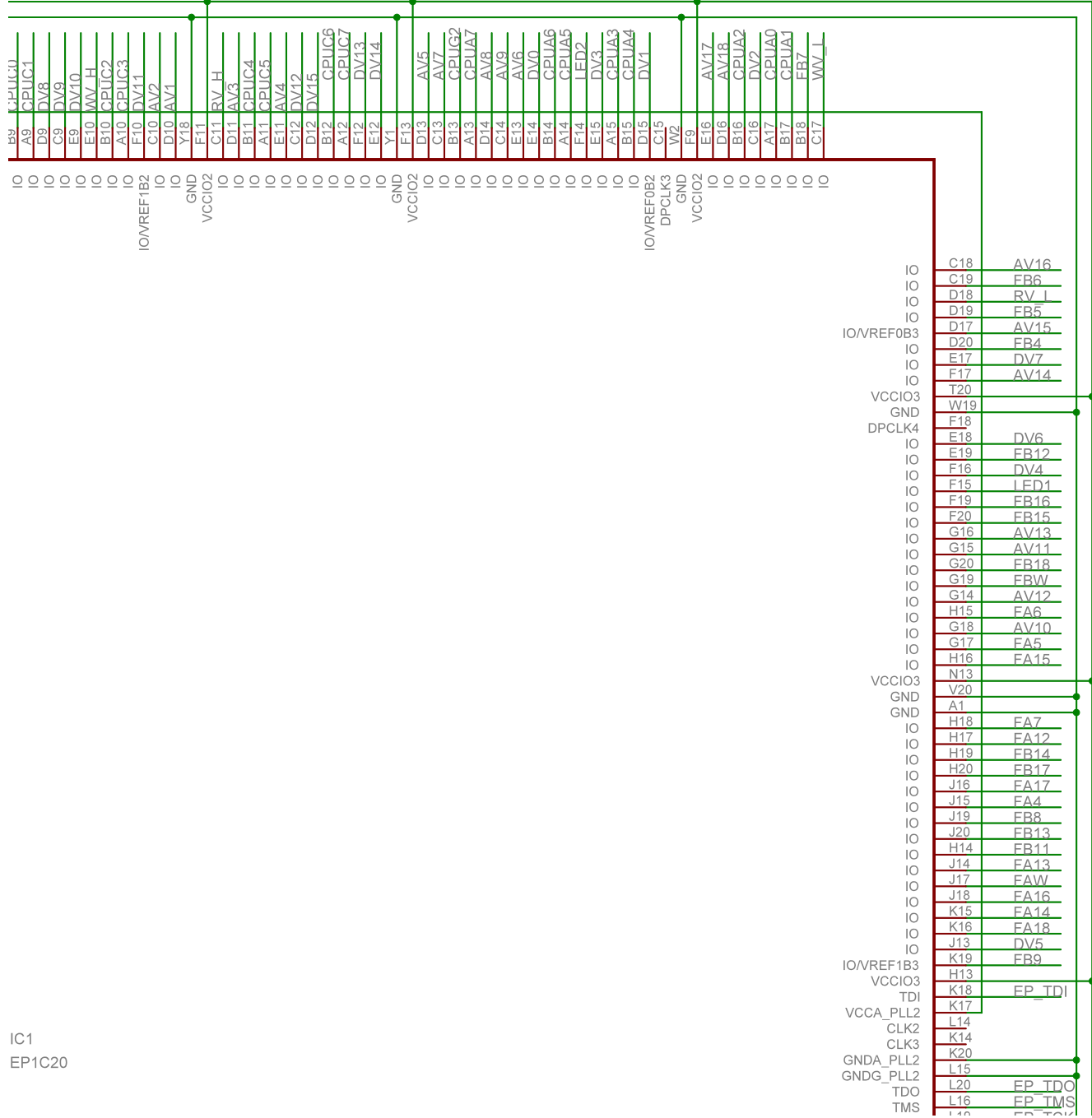
VCCINT
GND
+3V3

SAA B



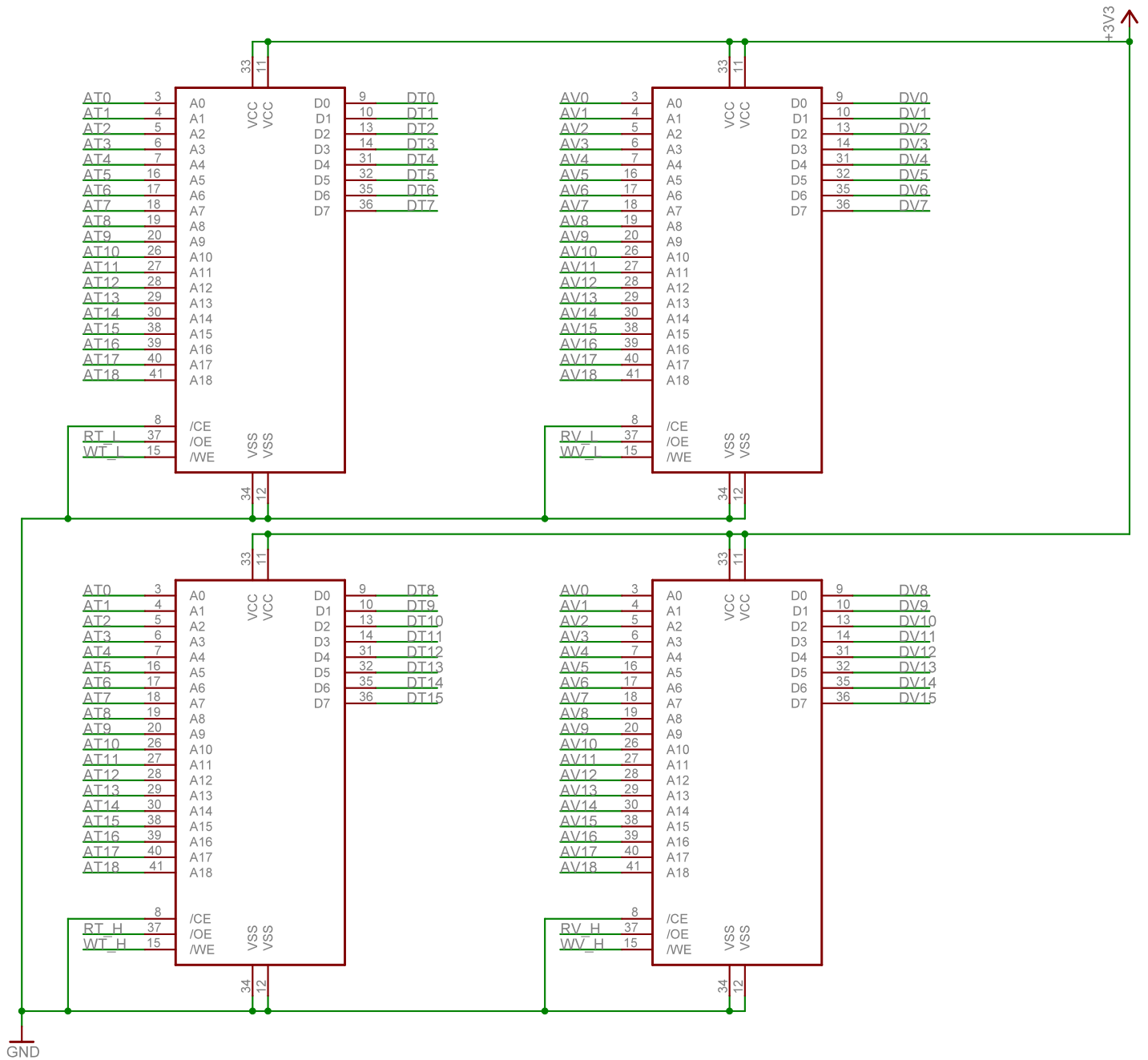
ATMEL

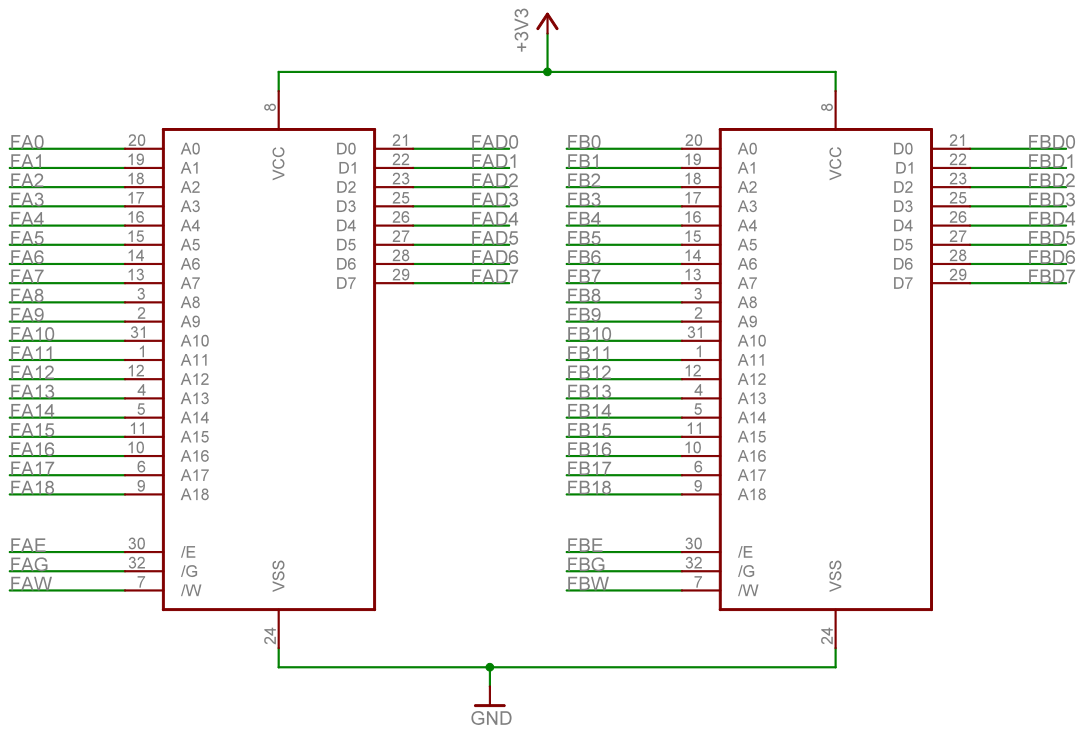
RAM V

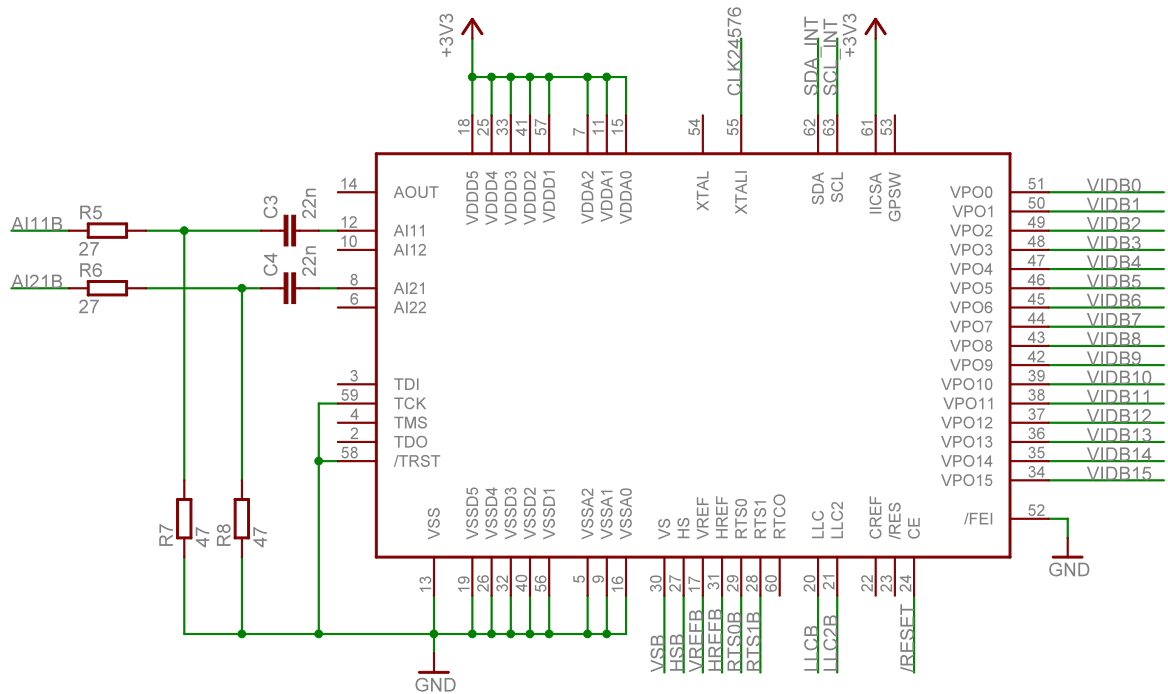
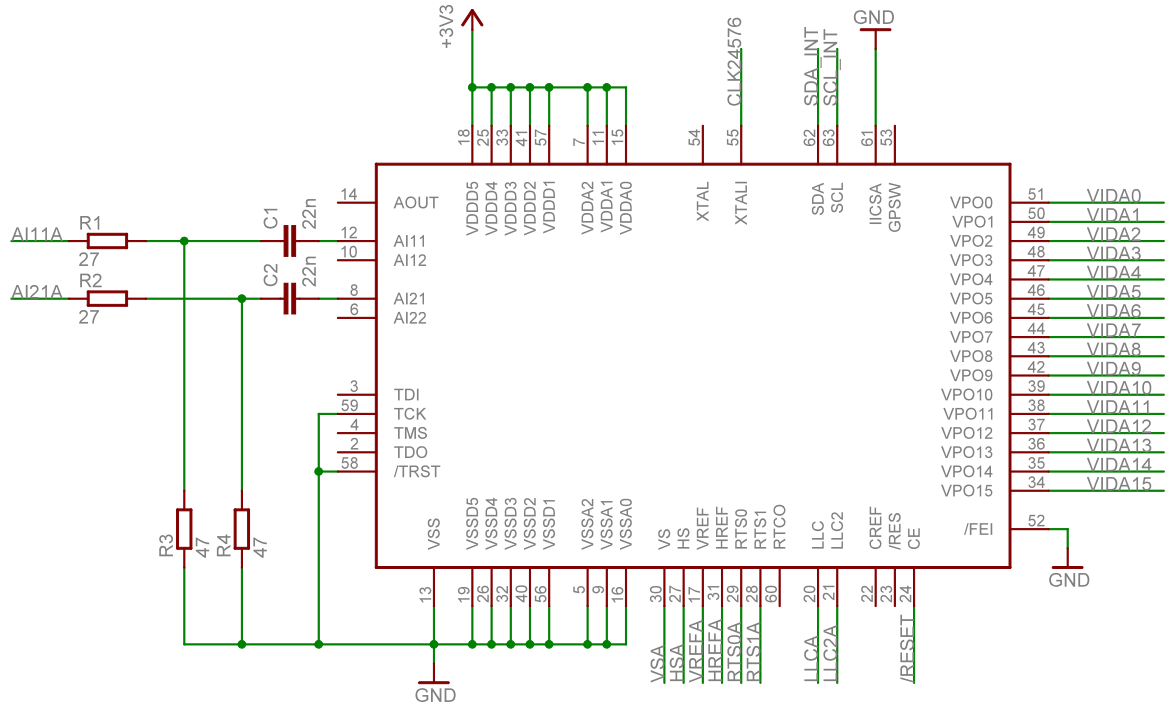


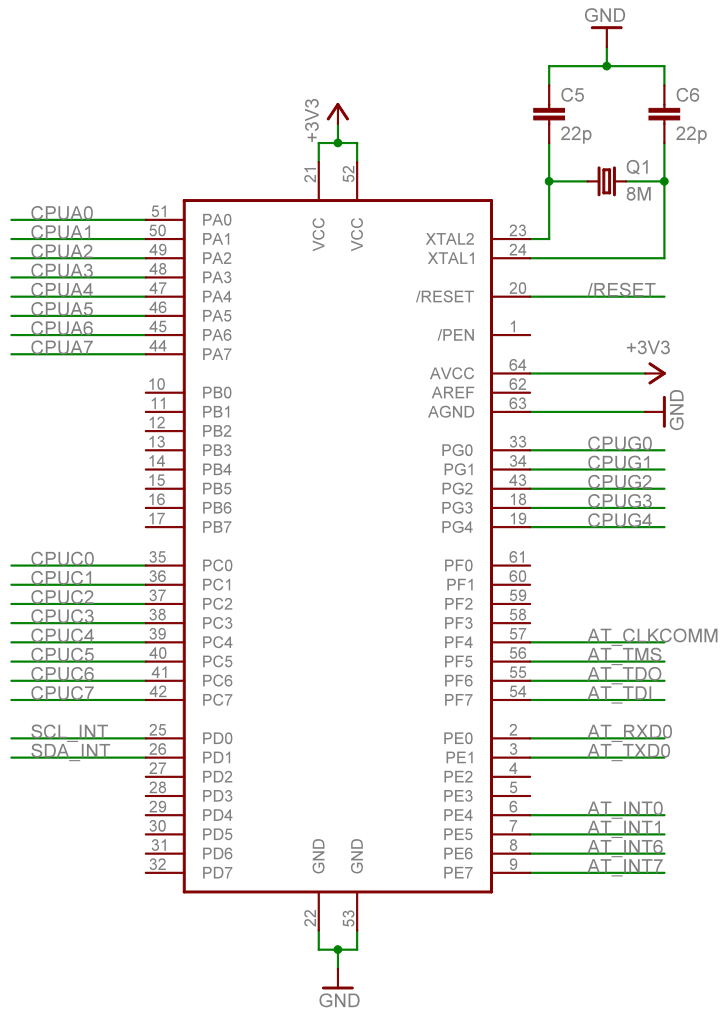
FLASH A

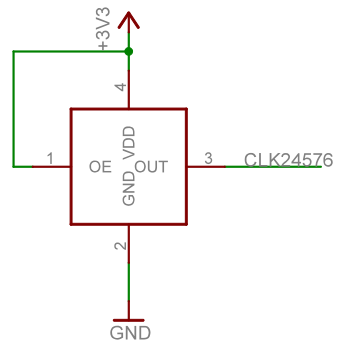
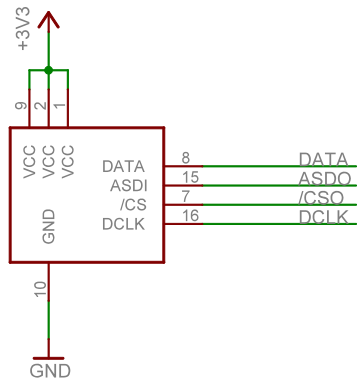
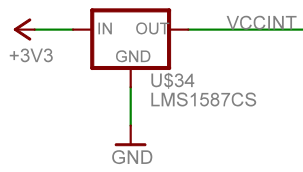
IC1
EP1C20

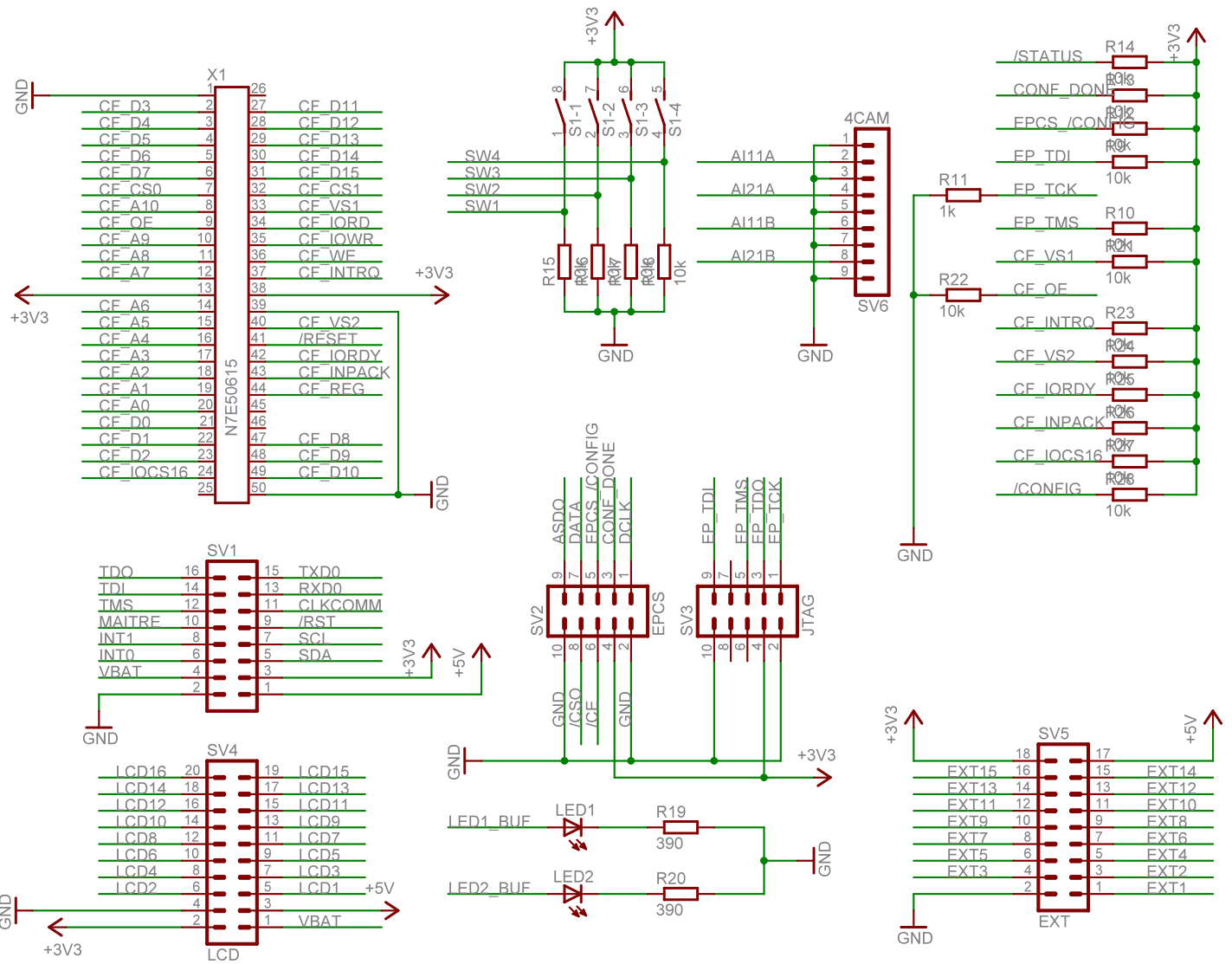


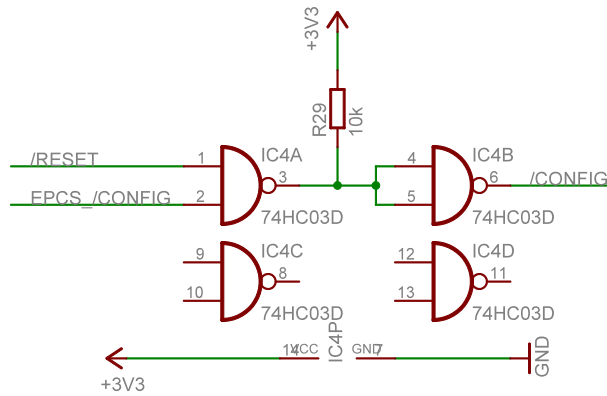
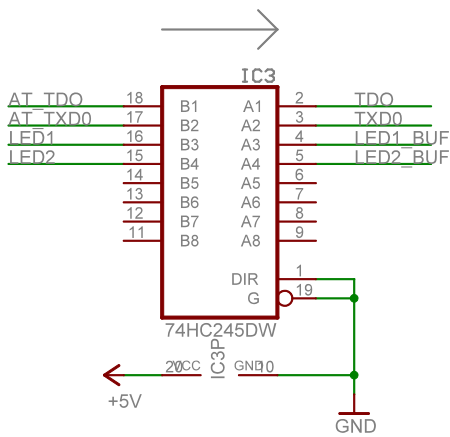
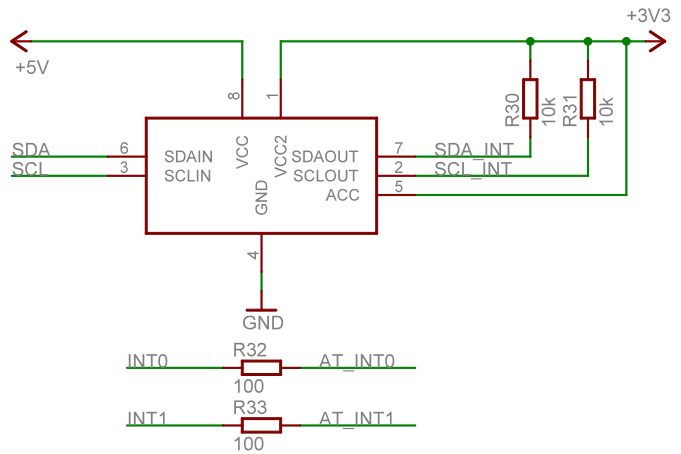
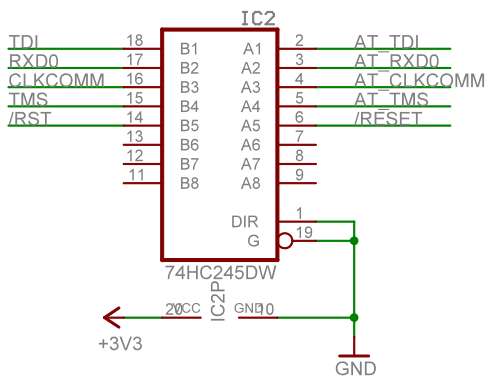


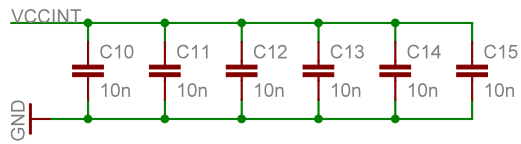




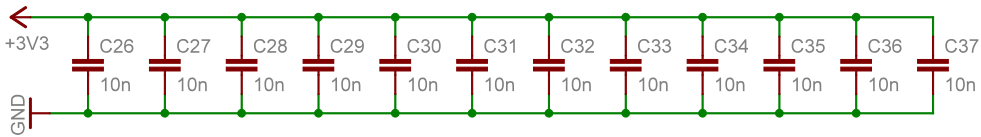
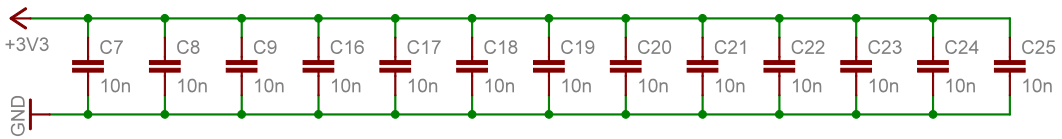








Altera
RAM



Flash
SAA
Atmel